

Name **LILLEY SPOT RECESSED**  
 Number **N037**  
 Collection **NAUTIC**

**TEKNA**

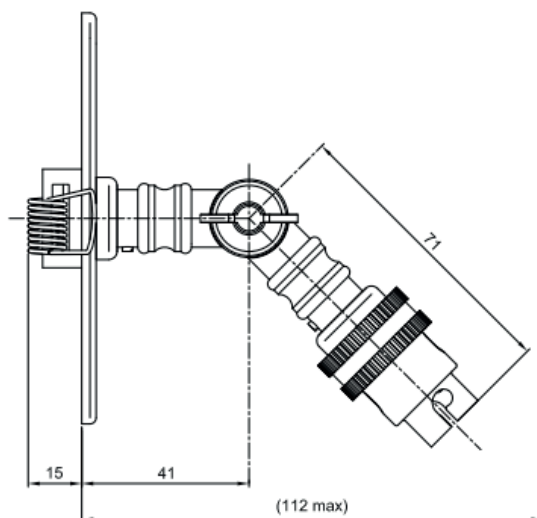
## General

Location Indoor  
 Main material Brass  
 IP rating IP20  
 Class .  
 Bathroom zone Zone 3  
 Voltage 230V  
 Driver Required Integrated  
 Cable length ( m ) .  
 Dimensions ( mm/ W-H-D ) 100-148-100  
 Mounting method CEILING bracket  
 Brut weight (kg) .  
 Gross weight (kg) .  
 Packing (mm / W-H-D) .  
 Energy Efficiency % A



## Lamp





Light source Spot  
 Number of light sources 1  
 Soket Type B15D  
 Bulb shape AR70  
 Max Lamp Length 48mm  
 power consumption 7W  
 Luminous Flux 380lm  
 Colour Temp 2700K/3000K  
 CRI 80  
 Lifetime 35000  
 Beam angle 40°



## Electrical

Switched .  
 Battery No  
 Dimmible .  
 Dimming Range .  
 Dimming method .  
 Supply Frequency 50Hz  
 Driver/Ballast Voltage .  
 Efficacy A

## Finishes

 Dark Bronze  
 Polished Chrome Plated Brass  
 Brushed Nickel Plated Brass  
 Polished Nickel Plated Brass

