

Name **CHELSEA SMALL**
Number **N002**
Collection **NAUTIC**

TEKNA

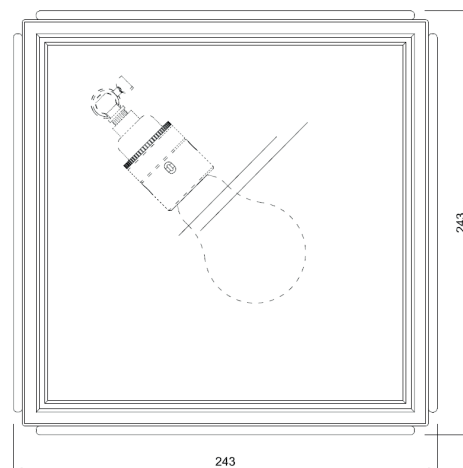
General

Location Indoor
Main material Brass/glass
IP rating IP40
Class .
Bathroom zone Zone 3
Voltage 230V
Driver Required No
Cable length (m) .
Dimensions (mm/ W-H-D) 234-125-234
Mounting method CEILING bracket
Brut weight (kg) .
Gross weight (kg) .
Packing (mm / W-H-D) .
Energy Efficiency % A++



Lamp

Included
Light source Bulb
Number of light sources 1
Socket Type E27
Bulb shape A60
Max Lamp Length 110mm
power consumption 4W
Luminous Flux 470lm
Colour Temp 2700K
CRI 80
Lifetime 15000
Beam angle 360°



Electrical

Switched No
Battery No
Dimmible No
Dimming Range .
Dimming method .
Supply Frequency 50Hz
Driver/Ballast Voltage .
Efficacy A++

Finishes

 Dark Bronze

