

Name **BOUNTY WALL 230V - LED**
 Number **N022**
 Collection **NAUTIC**

TEKNA

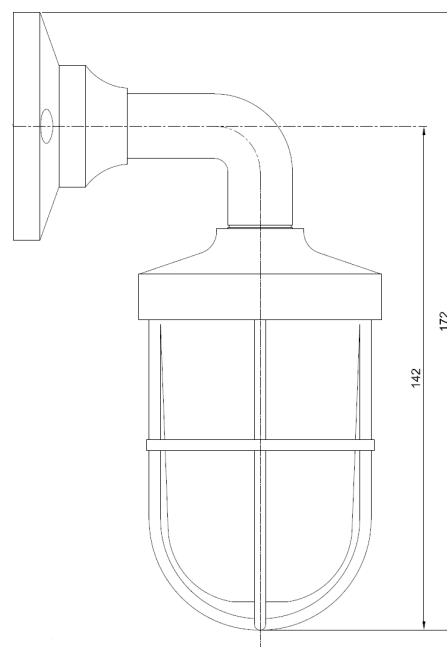
General

Location Indoor
 Main material Brass/glass
 IP rating IP20
 Class I
 Bathroom zone Zone 3
 Voltage 220-240V
 Driver Required No
 Cable length (m) Made to order
 Dimensions (mm/ W-H-D) 64-172-87
 Mounting method Wall bracket
 Brut weight (kg) .
 Gross weight (kg) .
 Packing (mm / W-H-D) .
 Energy Efficiency % A



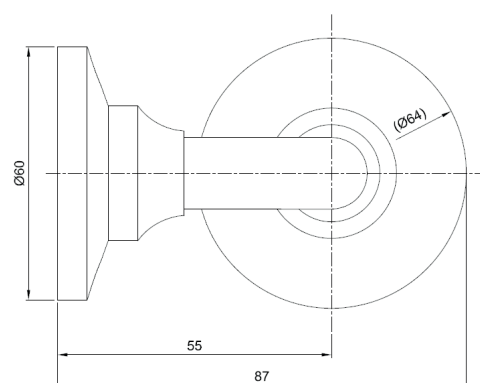
Lamp

Light source Bulb
 Number of light sources 1
 Soket Type B15D
 Bulb shape s8
 Max Lamp Length 55mm
 power consumption 1.5W
 Luminous Flux 140lm
 Colour Temp 2700K
 CRI .
 Lifetime .
 Beam angle 360°





Electrical

Switched No
 Battery No
 Dimmible .
 Dimming Range .
 Dimming method .
 Supply Frequency 50Hz
 Driver/Ballast Voltage .
 Efficacy .



Finishes

 Polished Brass
 Dark Bronze
 Polished Chrome Plated Brass
 Brushed Nickel Plated Brass
 Brushed Chrome Plated Brass
 Polished Nickel Plated Brass