

Name
Number
Collection

**KEMBLEFORD WALL DOUBLE
N193
ARTON**

TEKNA

General

Location	Indoor
Main Material	Brass / Glass
IP rating	IP55
Class	I
Bathroom zone	Zone 3
Voltage	230V
Driver required	No
Cable Length (m)	.
Dimensions (mm)	645x65x115
Mounting method	Ceiling bracket
Gross Weight (kg)	3,2
Packaging (mm)	750x85x125
Energy efficiency	A



Lamp

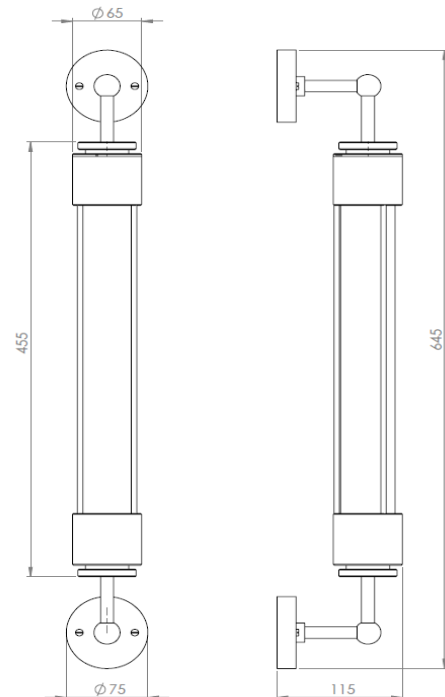
	Included
Light source	LED Bulb
Number of light sources	1
Socket type	E27
Bulb shape	Tubular
Max lamp length (mm)	300mm
Power consumption	8W
Luminous flux	340 lm
Color temperature	2200K
CRI	>90
Lifetime	20.000h
Beam angle	.

Electrical

Switch (type)	No
Battery	No
Dimmable	Yes
Dimming range	.
Dimming method	Phase
Supply frequency	50/60 Hz
Supply voltage	230V
Efficiency	.

Finishes

	Dark Bronze
	Sateen Brass



17/04/2024

TEKNA BVBA – INDUSTRIEPARK E17 – STOKKELAAR 13 – B-9160 LOKEREN – TEL+32 9 3480802 – FAX+32 9 3489691 – SALES@TEKNA.BE – WWW.TEKNA.BE
We reserve the right, without notice, to change technical details if these, in our opinion do not change appearance or function of the product.